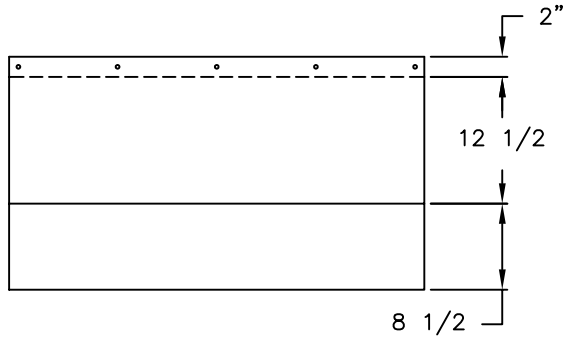
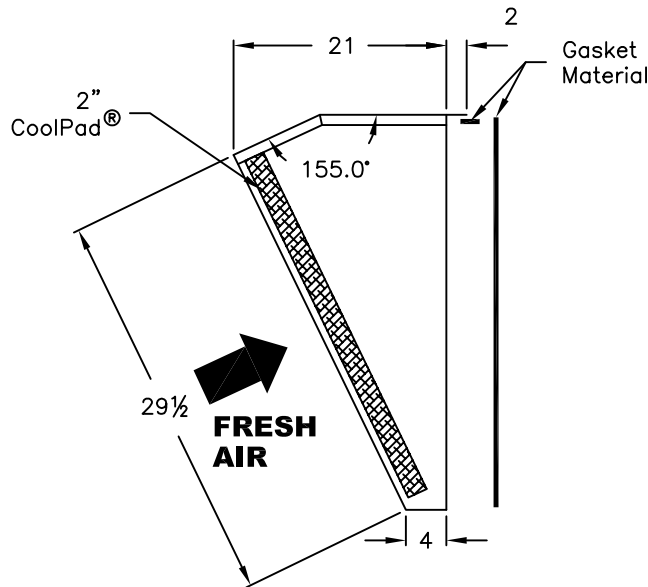
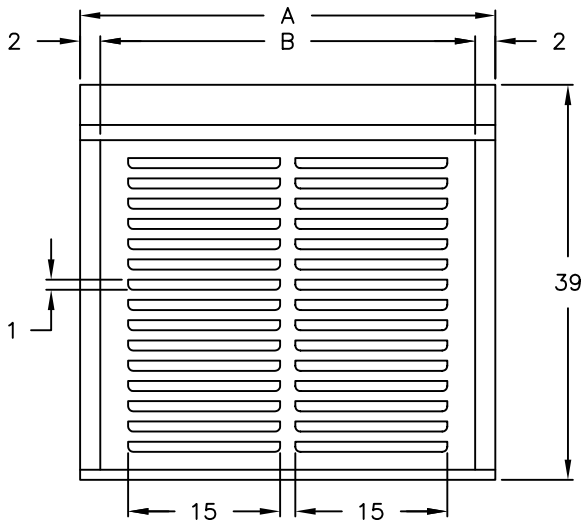


RH-1 INLET HOOD (RAIN HOOD)



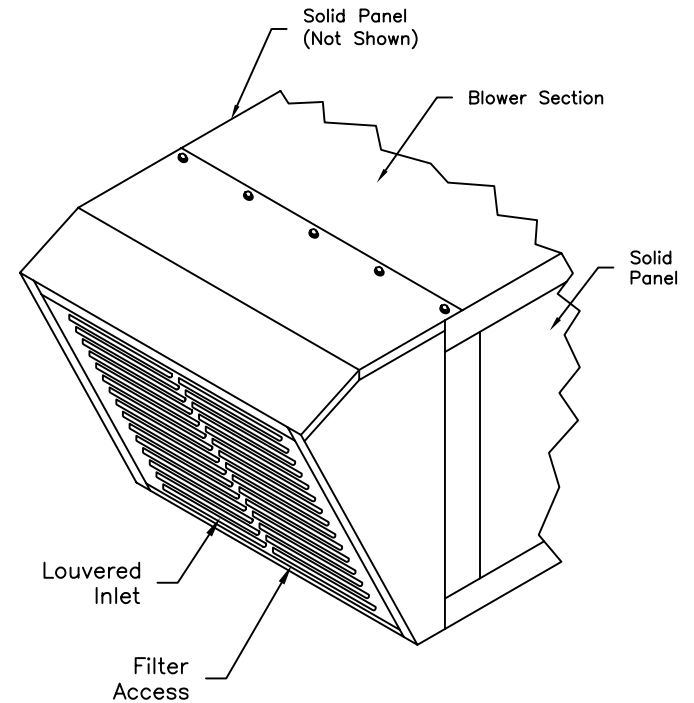
RAIN HOOD SELECTION CHART

RAIN HOOD NUMBER	UNIT NUMBER	A	B	WEIGHT (LBS)
RH-1	175/225	41	37	50
RH-1	300/400	41	37	50
RH-1	600/800	41	37	50
RH-1	900/1200	41	37	50
RH-1	SC1/SE1/SHE1	41	37	50
RH-1	SC2/SE2/SHE2	41	37	50



NOTES:

- ① Inlet Hood constructed of 20 ga. G90U, galvanized finish.
- ② Inlet Hood shipped separate for field mounting by others.
- ③ Filter Size: RH-1 - 36"x34". Disposable CoolPad® Filter.
- ④ Dual Blower Rain Hood Assemblies has wire rack in lieu of a Louvered Inlet.
- ⑤ RH-1 has 3.125 sq. ft. of Open Area.



NOTE: All dimensions are in inches.

PROJECT:	LOCATION:	
ENGINEER:	ARCHITECT:	
CONTRACTOR:	DATE:	PAGE: _____ of _____

ARES
 A Division of Mars®Air Products
 14716 S. BROADWAY ♦ GARDENA, CA 90248
 Phone: (310) 532-1555 ♦ (800) 421-1266 ♦ Fax: (310) 324-3030
 WEB SITE: www.marsair.com ♦ E-MAIL: aresinfo@marsair.com

RH-1 INLET HOOD (RAIN HOOD)