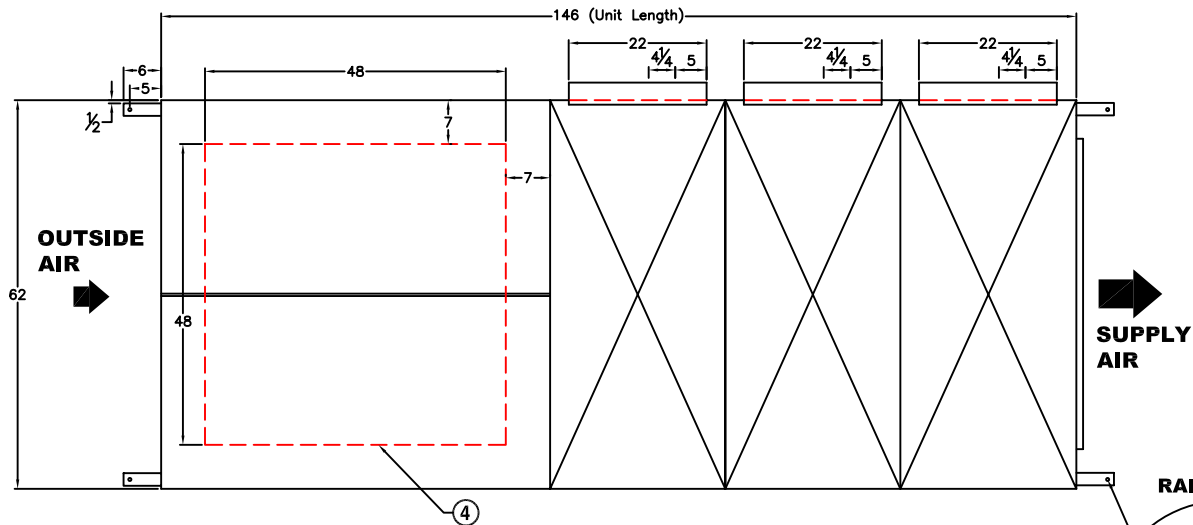


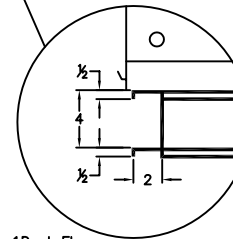
900 - 1200 DLB-2 INDIRECT FIRED GAS PACKAGED FURNACE



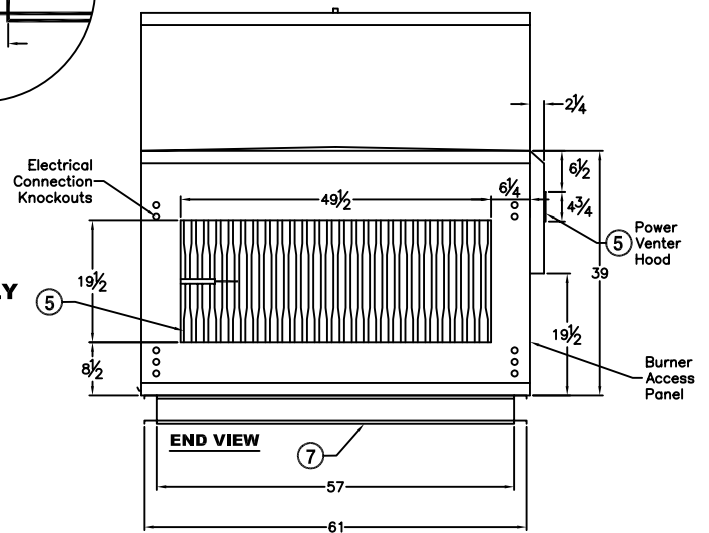
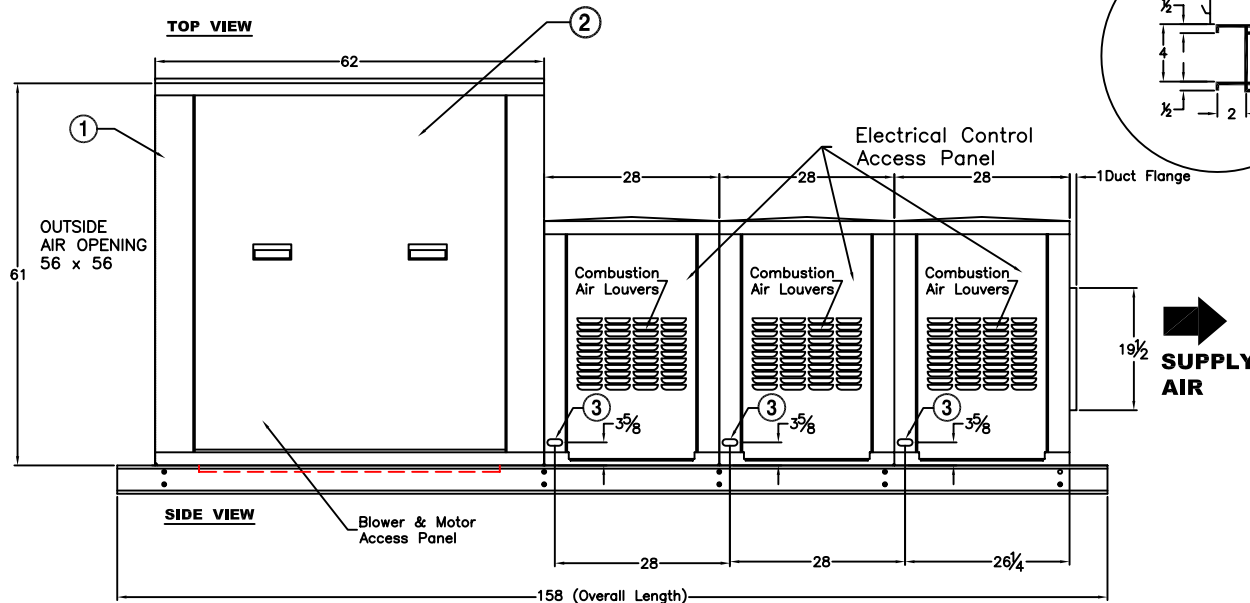
NOTES:

- ① Base Unit Constructed of 20 ga. G90, Galvanized Finish. Unit Option with (9) 18":x20":x2" PowerGard filters. Nominal 30% efficiency.
- ② Solid Blower & Motor Access Panels on both side of dual blower. Dual blower of 18 ga. G90 construction.
- ③ Gas Inlet is 3/4" NPS. (5 Year Heat Exchanger Warranty).
- ④ Optional Return Air opening shown. Return Air Opening is 48" x 48". Return Air option includes (9) 16"x16"x1' T/A Filter as standard. R/A Max CFM is 10,400cfm.
- ⑤ Indoor or Outdoor Kit not shown. See Furnace Options for details. Power Venter Rain Shield or Square-to-Round Adapter shipped loose for field installation.
- ⑥ ARES Duct Furnace includes as standard features:Stainless Steel Heat Exchanger, 2 Stage Gas Valve, Hot Surface Ignition, and power vented. All duct furnace AGA / CGA listed.
- ⑦ Full Perimeter rail, 8 to 12 GA.G90, Galvanized Finish, with 6" lifting extension. NOT intended for suspending unit, contact factory.

RAIL DETAIL



NOTE: ARES reserves the right to change specifications and product design without notice. Such revisions do not entitle the buyer to corresponding changes, improvements, additions or replacements for previously purchased equipment.



NOTE: All dimensions are in inches.

ARRPOX. NET WEIGHT: 2,450 lbs.

| | | |
|-------------|------------|----------------------|
| PROJECT: | LOCATION: | |
| ENGINEER: | ARCHITECT: | |
| CONTRACTOR: | DATE: | PAGE: _____ of _____ |

ARES
 A Division of Mars® Air Systems
 14716 S. BROADWAY ♦ GARDENA, CA 90248
 Phone: (310) 532-1555 ♦ (800) 421-1266 ♦ Fax: (310) 324-3030
 WEB SITE: www.marsair.com ♦ E-MAIL: aresinfo@marsair.com

900 - 1200 DLB-2 INDIRECT FIRED GAS PACKAGE FURNACE