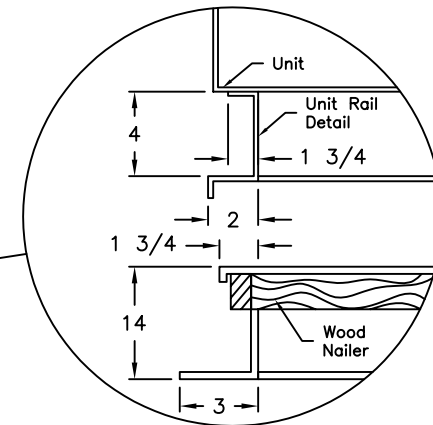
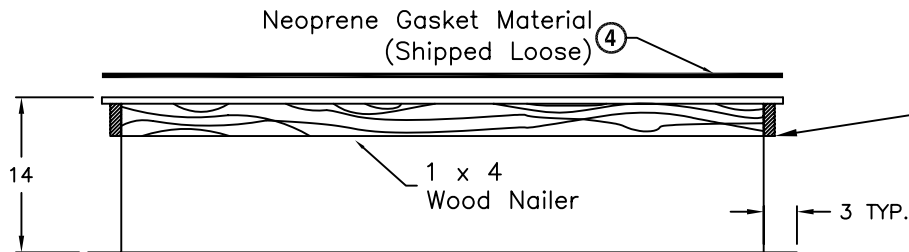
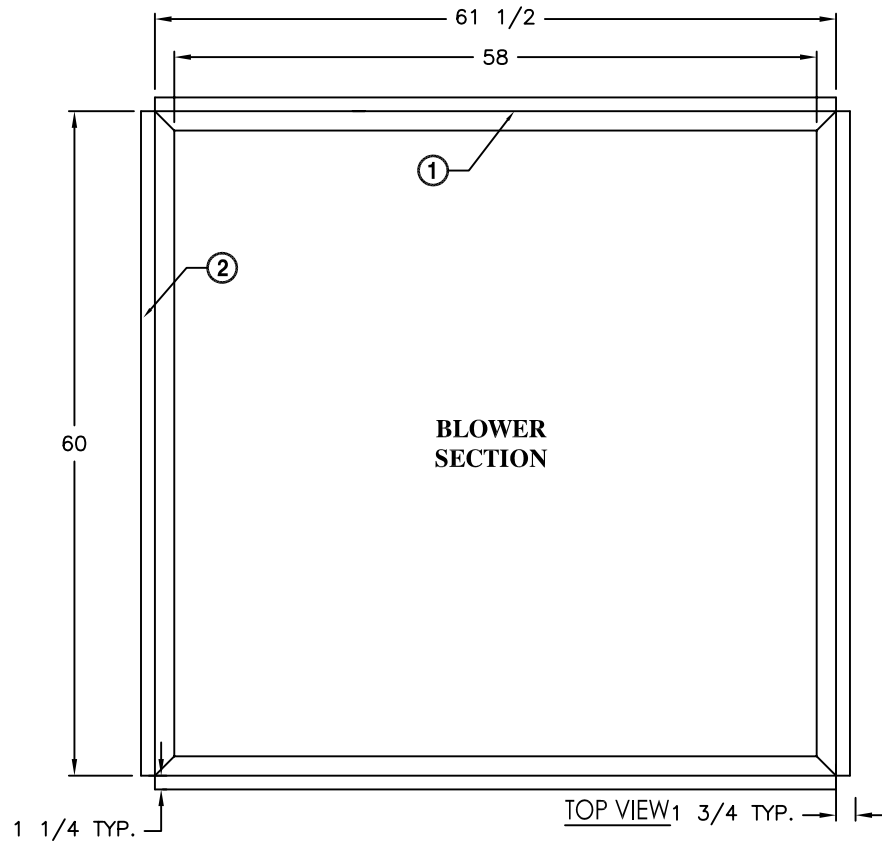


**AC6XXXX
DLB-2 DUAL BLOWER CURB WITH OPTIONAL CEV12000**



NOTES:

- ① Full Perimeter Roof Curb Constructed of 18 ga. G90, Galvanized Finish. Curb with wood nailer and shipped fully assembled.
- ② 1" space between inside rail dimension and outside roof curb dimension.
- ③ Middle partition as shown standard.
- ④ High Density Neoprene Gasket included. (Field Installed)
- ⑤ All dimensions in inches and subject to manufacturing tolerances.

NOTE: ARES® reserve the right to change specifications and product design without notice. Such revisions do not entitle the buyer to corresponding changes, improvements, additions or replacements for previously purchased equipment.

PROJECT:	LOCATION:	
ENGINEER:	ARCHITECT:	
CONTRACTOR:	DATE:	PAGE: _____ of _____

ARES
 A Division of Mars® Air Systems
 14716 S. BROADWAY ♦ GARDENA, CA 90248
 Phone: (310) 532-1555 ♦ (800) 421-1266 ♦ Fax: (310) 324-3030
 WEB SITE: www.marsair.com ♦ E-MAIL: aresinfo@marsair.com